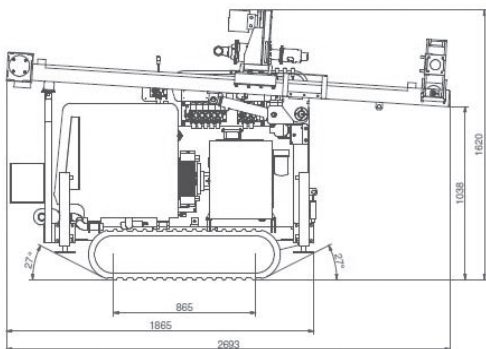


# 230

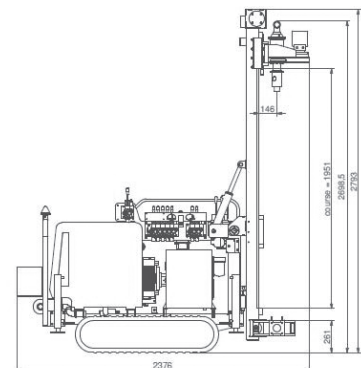


- Rugged drilling rig designed for shallow geotechnical investigation
- 25 HP diesel engine
- Manually shifted rotary head
- CE certified



**Dimensions on displacement position**

Length: 2,693 mm (8.83 ft)  
 Width: 750 mm (2.46 ft)  
 Height: 1,620 mm (5.31 ft)



**Dimensions on working position**

Length: 2,376 mm (7.79 ft)  
 Width: 900 mm (2.95 ft)  
 Height: 2,783 mm (9.13 ft)

Fordia's **230** is a lightweight geotechnical drilling rig that is mounted on a variable width track. It is designed for shallow geotechnical investigation, rotary drilling, coring or continuous auger drilling for SPT.

The 230 is equipped with a 25 HP Perkins diesel engine and a mast with a stroke of 1.5 m lifted by a hydraulic feed cylinder.

This basic yet rugged rig is easy to maintain and suitable for rough conditions. Thanks to its chase and low center of gravity, it is easy to handle and can work on rough terrain.

The 230 can be controlled from a distance with a remote controller.

The 230 offers a wide range of accessories including 4 hydraulic stabilization jacks and an air and water injection swivel. The rotation head can be manually shifted to use a winch or SPT cabestan.

Its compact size make it the ideal rig for sites with difficult access or for use indoors.

The 230 rig complies with the latest CE safety regulations. Emergency stops are available on the control panel as well as on the remote controller.

#### WEIGHT

	METRIC	IMPERIAL
TOTAL (DEPENDING ON OPTIONS)	1,100 to 1,250 kg	2,425 to 2,755 lb

#### CHASSIS

DESCRIPTION
Steel skid
4 hydraulic stabilization jacks

#### MAST

	DESCRIPTION
STROKE	1,900 mm
TOTAL HEIGHT	2,780 mm
RAISING	Hydraulic feed cylinder with a fixed drilling position
FEED	Gear motor and chains
PULL-BACK CAPACITY	1,500 kg (3,307 lb)
PUSH-DOWN THRUST	1,000 kg (2,204 lb)
ROD CLAMP	Simple - 160 mm

#### ROTATION HEAD

	DESCRIPTION
MAX. TORQUE	80 to 160 daNm
MAX. ROTATION SPEED	120 to 230 rpm
INJECTION SWIVEL	Air/water
DRIVE CHAIN FOR RODS	Double chain
DRIVE SHAFT	Hexagonal
SLIDING OF THE ROTATION HEAD	Manual

#### TRACK

	DESCRIPTION
TRACK	Self-propelled - Variable width
WIDTH	750 to 900 mm

#### POWER PACK

	DESCRIPTION
PERKINS SOUNDPROOF DIESEL ENGINE	25 HP
FUEL TANK	40 L
OIL TANK	50 L
ENGINE COOLING	Water
PUMP	Hydraulic - Triple
OIL COOLING	Hydraulic

#### SAFETY

DESCRIPTION
Emergency stop
Remote control featuring guard protection with 2 proportional levers
Validation button

#### OPTIONS

	DESCRIPTION
ROTATION HEAD	Max. rotation speed 440 rpm for coring
HEAD	Rotary-percussion
INJECTION PUMP	Triplex with a combustion engine
TORQUE AND ROTATION SPEED	Other choices of speed
WINCH	500 kg capacity
ROD CLAMP	Hydraulic - 160 mm
OTHERS	Down-the-hole hammer Rod rack